

# Double Block And Bleed Ball Valve Series

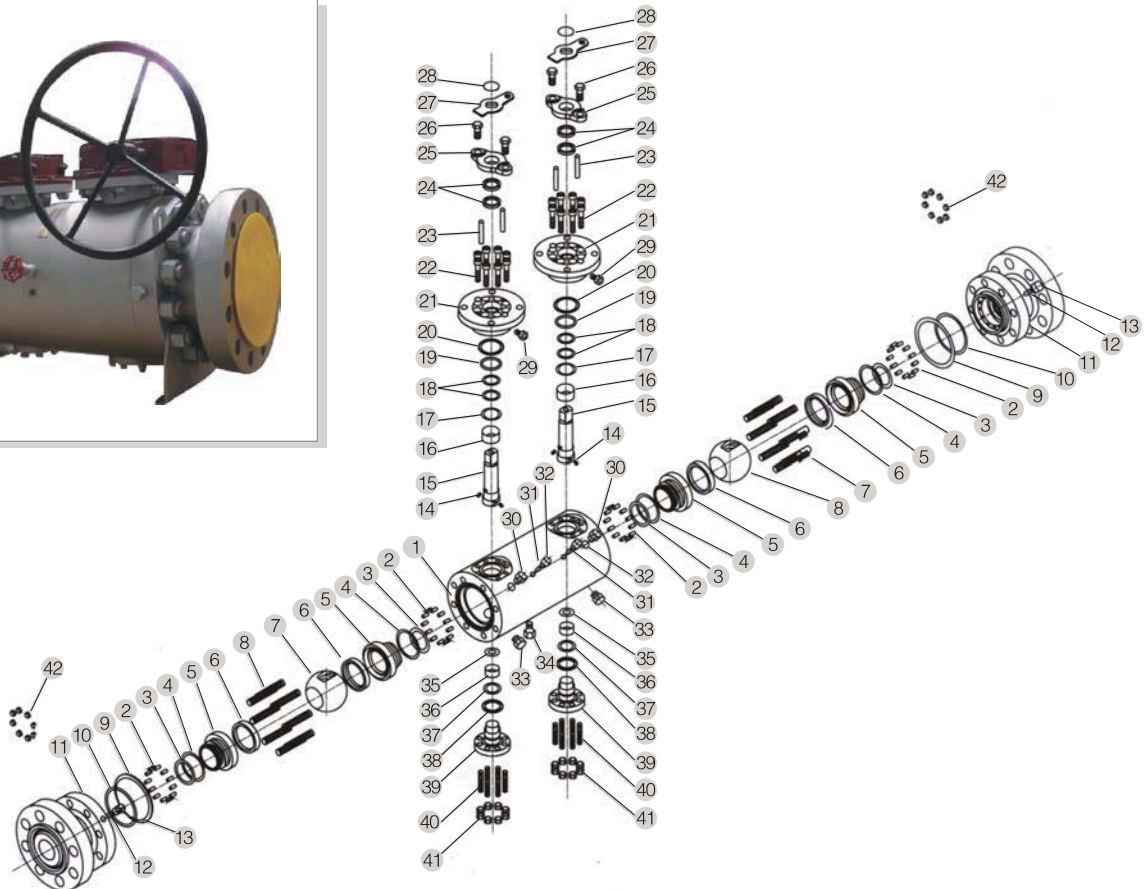


## Double Block And Bleed Ball Valve Series

Pressure Class : Class 150~2500  
Size Range : 1/2"~36"  
API Standards: 6D  
ASME B 16.34

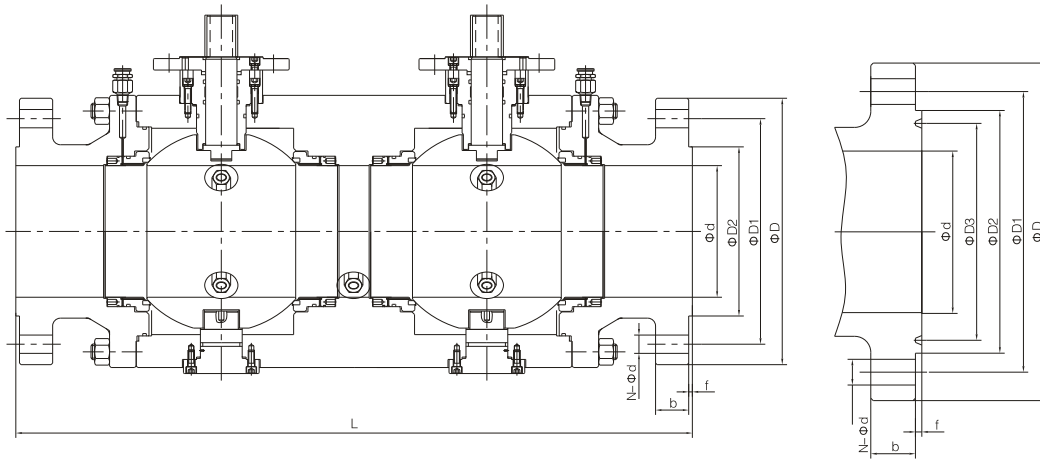
1	Body
2	Spring
3	Anti-fire packing
4	O-ring
5	Seat ring
6	Seat
7	Ball
8	Stud
9	Anti-fire gasket
10	O-ring
11	Bonnet
12	Check valve
13	Sealant injection valve
14	Anti-static device
15	Stem
16	Sliding bearing
17	Thrust bearing
18	O-ring
19	O-ring
20	Anti-fire gasket
21	Seal gland

22	Socket head cap screw
23	Pin
24	Packing
25	Packing gland
26	Hexagon bolt
27	Stopper
28	Retainer ring
29	Sealant injection valve
30	Air release valve
31	Check valve
32	Sealant injection valve
33	Drainage valve
34	Drainage valve
35	Thrust bearing
36	Sliding bearing
37	O-ring
38	Anti-fire gasket
39	Lower cover
40	Stud
41	Hexagon nut
42	Hexagon nut



**Double block and bleed valves**

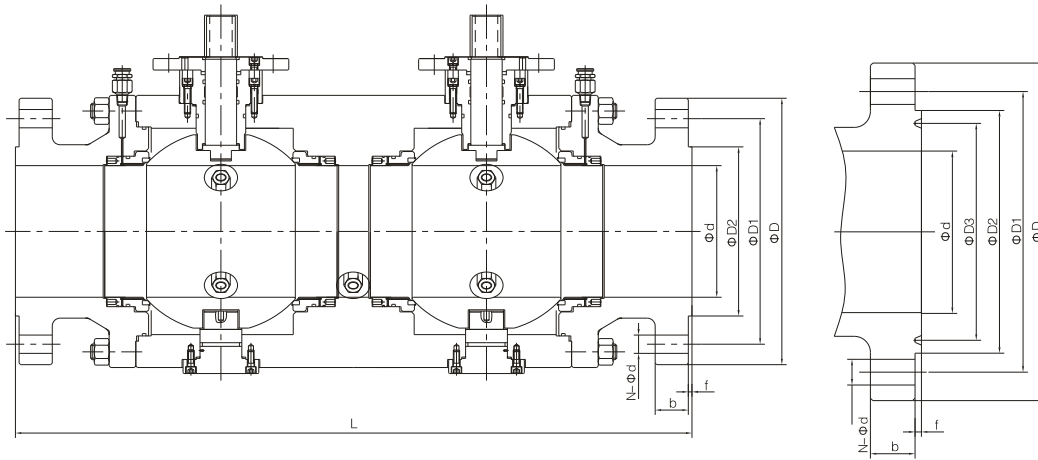
Nominal diameter (in)		NPS 2–16					
Nominal Pressure (MPa)		Class150~Class2500					
Materials of parts	No.	Part Name	Material				
			Carbon steel	Stainless steel			
	1	Body	ASTM A105	ASTM A182 304	ASTM A182 316	ASTM A182 304L	ASTM A182 316L
	2	Spring	17–7PH				
	3	Anti–fire packing	Graphite				
	4	O–ring	VITON	VITON	VITON	VITON	VITON
	5	Seat ring	ASTM A105 • ENP	ASTM A182 304	ASTM A182 316	ASTM A182 304L	ASTM A182 316L
	6	Seat	PTFE/NYLON/PEEK/PPL				
	7	Ball	ASTM A105 • ENP	ASTM A182 304	ASTM A182 316	ASTM A182 304L	ASTM A182 316L
	8	Stud	A193 B7M	A320 B8	A320 B8M	A320 B8	A320 B8M
	9	Anti–fire gasket	SST+Graphite				
	10	O–ring	VITON				
	11	Bonnet	ASTM A105	ASTM A182 304	ASTM A182 316	ASTM A182 304L	ASTM A182 316L
	12	Check valve	Combined parts	Combined parts	Combined parts	Combined parts	Combined parts
	13	Sealant injection valve	Combined parts	Combined parts	Combined parts	Combined parts	Combined parts
	14	Anti–sttic device	Combined parts	Combined parts	Combined parts	Combined parts	Combined parts
	15	Stem	ASTM A182 F6a	ASTM A182 304	ASTM A182 316	ASTM A182 304L	ASTM A182 316L
	16	Sliding bearing	Metal+PTFE	Metal+PTFE	Metal+PTFE	Metal+PTFE	Metal+PTFE
	17	Thrust bearing	PTFE				
	18	O–ring	VITON				
	19	O–ring	VITON				
	20	Anti–fire gasket	SST+Graphite				
	21	Seal gland	ASTM A105 • ENP	ASTM A182 304	ASTM A182 316	ASTM A182 304L	ASTM A182 316L
	22	Socket head cap screw	A193 B7M	A320 B8	A320 B8M	A320 B8	A320 B8M
	23	Pin	ANSI A1035	ANSI A1035	ANSI A1035	ANSI A1035	ANSI A1035
	24	Packing	Graphite	Graphite	Graphite	Graphite	Graphite
	25	Packing gland	ASTM A216 WCB	ASTM A216 WCB	ASTM A216 WCB	ASTM A216 WCB	ASTM A216 WCB
	26	Hexagon bolt	A193 B7M	A320 B8	A320 B8M	A320 B8	A320 B8M
	27	Stopper	A3 • HZn	A3 • HZn	A3 • HZn	A3 • HZn	A3 • HZn
	28	retainer ring	65Mn	65Mn	65Mn	65Mn	65Mn
	29	Sealant injection valve	Combined parts	Combined parts	Combined parts	Combined parts	Combined parts
	30	Air release valve	Combined parts	Combined parts	Combined parts	Combined parts	Combined parts
	31	Check valve	Combined parts	Combined parts	Combined parts	Combined parts	Combined parts
	32	Sealant injection valve	Combined parts	Combined parts	Combined parts	Combined parts	Combined parts
	33	Drainage valve	Combined parts	Combined parts	Combined parts	Combined parts	Combined parts
	34	Drainage valve	Combined parts	Combined parts	Combined parts	Combined parts	Combined parts
	35	Thrust bearing	PTFE				
	36	Sliding bearing	Metal+PTFE	Metal+PTFE	Metal+PTFE	Metal+PTFE	Metal+PTFE
	37	O–ring	VITON				
	38	Anti–fire gasket	SST+Graphite				
	39	Lower cover	ASTM A105 • ENP	ASTM A182 304	ASTM A182 316	ASTM A182 304L	ASTM A182 316L
	40	Stud	A193 B7M	A320 B8	A320 B8M	A320 B8	A320 B8M
41	Hexagon nut	A194–2HM	A194–8	A194–8M	A194–8	A194–8M	
42	Hexagon nut	A194–2HM	A194–8	A194–8M	A194–8	A194–8M	
Applicable service conditions	Applicable media	Water, steam, oil, gas, liquefied gas, natural gas, etc.	Nitric acid	Acetic acid	Strong Oxidizer	Urea	
	Applicable temperature	120°C(PTFE)、≤80°C(NYLON)、≤250°C(PEEK)、≤250°C(PPL)					
Design and manufacturing		API 608、API 6D					
Face–to–face dimensions		ASME B16.10、API 6D					
Type of connection		Flange	ASME B16.5/ASME B16.47		Butt welding	ASME B16.25	
Pressure test		API 598、API6D					
Transmission mode		Manual, worm and worm gear transmission, pneumatic, electric					



Pressure rating	Nominal Diameter		d	Flange		Butt welding	Raised face flange						H	H1	Weight (kg)	
	Class	NPS		DN	L(RF)		L(RTJ)	L(BW)	D	D1	D2	D3				f
150	2"	50	50	356	369	394	150	120.5	92	/	2	14.5	4-φ19	93	88	Δ
	3"	80	75	457	470	537	190	152.5	127	/	2	17.5	4-φ19	118.5	117	Δ
	4"	100	100	502	514	579	230	190.5	157	/	2	22.5	8-φ19	143.5	137	Δ
	6"	150	150	787	799	850	280	241.5	216	/	2	24	8-φ22	208	178.5	Δ
	8"	200	201	902	915	966	345	298.5	270	/	2	27	8-φ22	248	235	Δ
	10"	250	252	991	1004	1017	405	362	324	/	2	29	12-φ25	294	288	Δ
	12"	300	303	1130	1142	1155	485	432	381	/	2	30.5	12-φ25	345	330	Δ
	14"	350	334	1245	1258	1321	535	476	413	/	2	33.5	12-φ29	377	360	Δ
300	16	400	385	1372	1385	1448	595	540	470	/	2	35	16-φ29	418	400	Δ
	"2"	50	50	394	410	394	165	127	92	/	2	21	8-φ19	93	88	Δ
	3"	80	75	495	510	495	210	168.5	127	/	2	27	8-φ22	118.5	117	Δ
	4"	100	100	568	587	568	255	200	157	/	2	30.5	8-φ22	143.5	137	Δ
	6"	150	150	826	842	826	320	270	216	/	2	35	12-φ22	208	178.5	Δ
	8"	200	201	991	1007	991	380	330	270	/	2	40	12-φ25	248	235	Δ
	10"	250	252	1054	1070	1054	445	387.5	327	/	2	46.5	16-φ29	294	288	Δ
	12"	300	303	1194	1210	1194	520	451	381	/	2	49.5	16-φ32	345	330	Δ
600	14"	350	334	1346	1362	1346	585	514.5	416	/	2	52.5	20-φ32	377	360	Δ
	16	400	385	1473	1489	1473	650	571.5	470	/	2	56	20-φ35	423	345	Δ
	"2"	50	50	470	473	470	165	127	92	/	7	26	8-φ19	107	91.5	Δ
	3"	80	75	610	613	610	210	168.5	127	/	7	32	8-φ22	140	119	Δ
	4"	100	100	762	765	762	275	216	157	/	7	38.5	8-φ25	164	150	Δ
	6"	150	150	978	981	978	355	292	216	/	7	48	12-φ29	224	208	Δ
	8"	200	201	1143	1147	1143	420	390	270	/	7	56	12-φ32	272	248	Δ
	10"	250	252	1372	1376	1372	510	532	324	/	7	64	16-φ35	318	303	Δ
12"	300	303	1448	1451	1448	560	589	381	/	7	67	20-φ35	355	341	Δ	
14"	350	334	1579	1552	1549	605	527	413	/	7	70	20-φ39	390	370	Δ	
16"	400	385	1778	1781	1778	685	603	470	/	7	77	20-φ41	400	415	Δ	

Δ Please consult the factory:

Note: The weight value is only for flanged valve. Please consult our factory for higher nominal diameter or weight. Any modification to size Hand, weight will not be notified otherwise.



Pressure rating	Nominal Diameter		d	Flange		Butt welding	Raised face flange						H	H1	Weight (kg)		
	Class	NPS		DN	L(RF)		L(RTJ)	L(BW)	D	D1	D2	D3				f	b
900		2"	50	50	610	613	610	215	165	124	95.25	7.92	38.5	8-φ25	126.5	105	Δ
		3"	80	75	660	663	660	240	190.5	156	123.83	7.92	38.5	8-φ25	150	130	Δ
		4"	100	100	826	829	826	290	235	181	149.23	7.92	45	8-φ32	172.5	158	Δ
		6"	150	150	1054	1057	1054	380	317.5	241	211.12	7.92	56	12-φ32	230	210	Δ
		8"	200	201	1295	1298	1295	470	393.5	308	269.88	7.92	64	12-φ39	290	255	Δ
		10"	250	252	1473	1476	1473	545	470	362	323.85	7.92	70	16-φ39	330	316	Δ
		12"	300	303	1651	1654	1651	610	533.5	419	381	7.92	79.5	20-φ39	366	351	Δ
		14"	350	322	1880	1889	1880	640	559	467	419.1	11.13	86	20-φ42	425	376	Δ
	16	400	373	1930	1940	1930	705	616	524	469.9	11.13	89	20-φ45	452	421	Δ	
1500		"2"	50	50	610	613	610	215	165	124	85.25	7.92	38.5	8-φ25	126.5	105	Δ
		3"	80	75	826	829	826	265	203.2	168	136.53	7.92	48	8-φ32	166	149	Δ
		4"	100	100	965	968	965	310	241.3	194	161.93	7.92	54	8-φ35	219	178	Δ
		6"	150	144	1232	1238	1232	395	317.5	248	211.14	9.53	83	12-φ39	268	234	Δ
		8"	200	192	1448	1457	1448	485	393.7	318	268.88	11.13	92	12-φ45	305	270	Δ
		10"	250	239	1778	1787	1778	585	482.6	371	323.85	11.13	108	12-φ51	358	336	Δ
		12"	300	287	2083	2099	2083	675	571.5	438	381	14.27	124	16-φ54	414	395	Δ
		14"	350	315	2286	2305	2286	750	635	489	419.1	15.88	134	16-φ50	471	441	Δ
	16	400	360	2422	2445	2422	825	704.8	546	469.9	17.48	146.5	16-φ67	498	456	Δ	
2500		"2"	50	42	762	765	762	235	171.4	133	101.6	7.92	51	8-φ29	149	123	Δ
		3"	80	62	1029	1153	1029	305	228.6	168	127	9.53	67	8-φ35	215	141	Δ
		4"	100	87	1143	1562	1143	355	273	203	157.18	11.13	76.5	8-φ42	245	206	Δ
		6"	150	131	1549	1559	1549	485	368.3	279	228.6	12.7	108	8-φ54	306	265	Δ
		8"	200	179	1880	1896	1880	550	438.2	340	279.4	14.27	127	12-φ54	361	336	Δ

Δ Please consult the factory:

Note: The weight value is only for flanged valve. Please consult our factory for higher nominal diameter or weight. Any modification to size Hand, weight will not be notified otherwise.